

# LME Series Moulded Case Circuit Breaker

## Application

LME series MCCB is applicable circuit of AC 50/60Hz, rated insulation voltage 690V, rated current 16-250A, for distribute energy of electricity & infrequent making & breaking circuit in normal conditions, protecting when circuit is overloaded, short circuit. The products conforms to IEC60947-2 standard.

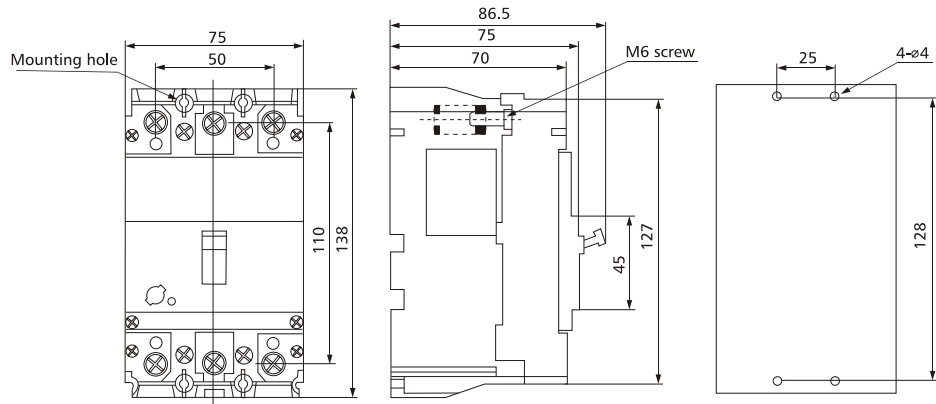


LME-125

## Specification

Type	LME-125	LME-250
Poles number	3	3
Rated current In(A)	16,20,32,40,50,63, 80,100,125	100,160,180, 200,250
Utilisation category	A	A
Rated ultimate short-circuit breaking capacity Icu(KA) at 415V	16	25
Rated short-circuit service breaking capacity Ics(%Icu) at 415V	100	100

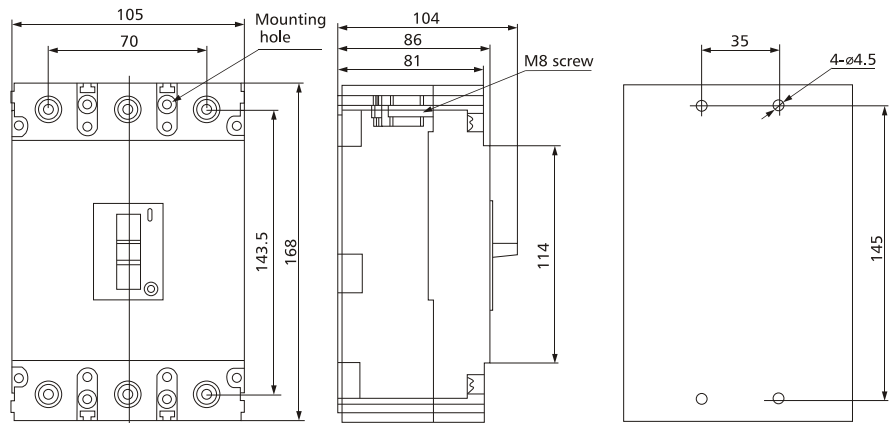
## Outline and installation dimension



LME-125



LME-250



LME-250